



QWARTZ ULTRA SLIM 3.0

FINE PITCH - MODULAR INDOOR LED DISPLAY





OVERVIEW

This LED cabinet is the latest addition to our QWARTZ ULTRA SLIM range. The QWARTZ ULTRA SLIM 3.0 works on a 250 x 250 mm modular basis, making it ideal for many indoor LED application projects. Although similar to the QWARTZ ULTRA SLIM 2.0 regarding its design, it differs from it with its dimensions, thought to maximize modularity and adaptability rather than seeking a 16:9 ratio.



APPLICATION
Indoor



INGRESS PROTECTION
IP20



PIXEL PITCH
P1.9 P2.5 P2.6



DISPLAY AREA (W x H)
1000 x 500 mm
750 x 500 mm
500 x 500 mm
250 x 500 mm
500 x 1000 mm



BRIGHTNESS
≤ 1000 NITS @5volts
≤ 3000 NITS @5volts (opt.)



WEIGHT
18.5 - 18 kg/m²



MATERIAL
Die-casting aluminum



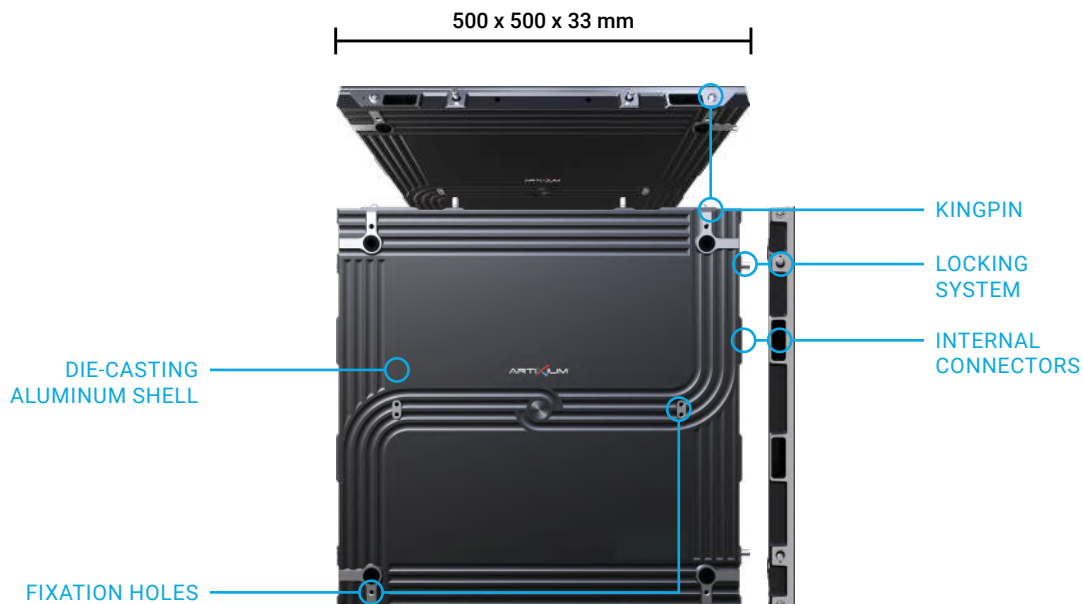
MAINTENANCE
Front maintenance

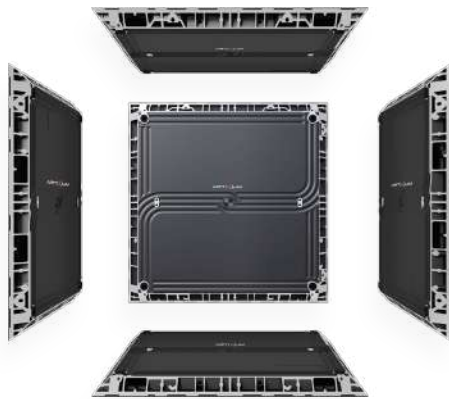


FEATURES

The QWARTZ ULTRA SLIM 3.0 is available in 5 different sizes, all of them compatible with one another. Below is

the 500 x 500 mm cabinet, but the presented features remain the same on the other cabinets.



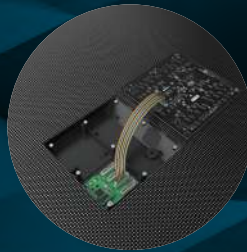


90° ANGLES

The QWARTZ ULTRA SLIM cabinets can be bevelled at a 45° angle on the edges to allow 90° applications. You can even obtain seamless LED cubes with cabinets bevelled on all edges. This feature allows high creativity to your giant LED screen projects.



ULTRA SLIM FRONT
MAINTENANCE CABINET



MAGNETIC FRONT
ACCESS MODULES



90° OPTION

FINE PIXEL PITCH

With a fine P1.9 or P2.6 pixel pitch, and SMD black face LEDs, the QWARTZ ULTRA SLIM 3.0 is slightly above what we consider to be ultra HD LED cabinets, pitch-wise. This product is capable of displaying very high-quality content, even allowing a 1920 x 1080 pixels resolution with a limited number of cabinets. No matter the number and layout of your LED cabinets, you'll get an astonishing render on your giant indoor screen.



MODULAR LED SOLUTION

With its 5 different compatible cabinet sizes, the QWARTZ ULTRA SLIM 3.0 allows you to create tailored giant LED screens while optimizing the number of receiving cards, making your application as cost-effective as possible.





TECHNICAL SPECIFICATIONS



Product Parameters	Unit	INDOOR			
		1.9	2.5	2.6	2.6 - HB
Pixel Pitch	mm	1,95	2,50	2,60	2,60
LED		SMD1212 3in1 (Full Black Face)		SMD1515 3in1 (Full Black Face)	SMD1515 3in1 (Black Face)
Application		Indoor modulable LED screen			
Ingress Protection	IP	IP20			
Brightness	cd/m ²	≤ 800 Nits @5volts		≤ 1000 Nits @5volts	≤ 3000 Nits @5volts
Color Temperature after calib (adjustable)	deg. K	6500			
Viewing Angle (50% brightness)	deg.	160 H / 160 V			
Cabinet Size (WxHxD)	mm	500 x 1000 x 34.9 / 1000 x 500 x 34.9 / 750 x 500 x 34.9 500 x 500 x 34.9 / 250 x 500 x 34.9			
Display area (WxH)	mm	500 x 1000 / 1000 x 500 / 750 x 500 / 500 x 500 / 250 x 500			
Module Size (WxHxD)	mm	250 x 250 x 3			
Pixel Matrix Per Cabinet (WxH)	px	256 x 512	200 x 400	192 x 384	192 x 384
		512 x 256	400 x 200	384 x 192	384 x 192
		384 x 256	300 x 200	288 x 192	288 x 192
		256 x 256	200 x 200	192 x 192	192 x 192
		128 x 256	100 x 200	96 x 192	96 x 192
Pixel Matrix Per Module (WxH)	px	128 x 128	100 x 100	96 x 96	96 x 96
Pixel Density	px/m ²	262144	160000	147456	147456
Weight of cabinet	kg	18.5		18	18
Cabinet Material		Die-casting aluminum			
Maintenance Mode		Front			
Mask specification		95% Plastic + 5% Fiber / Clips (no screws) / No shaders			
Contrast Ratio		High			
Grey scale (linear)	bit	16			
Brightness control	bit	16			
Processing depth	bit	16			
Color		281 Trillions			
Display Refresh Rate	Hz	3840			
Operation Power	V	AC85-230V			
Max. Power Consumption	W/m ²	420			
Average Power Consumption	W/m ²	160			
Control Mode		Synchronous / Asynchronous			
Video Frame Rate	Hz	50/60Hz			
Input Types Supported		DVI / SDI / HDMI			
3D ready (optional)		Yes			
Calibration		Yes			
Lifetime (50% brightness)	h	50000			
Operating Humidity Range		10-95%			
Operating Temperature Range		-30°C / +60°C			
Screen Uniformity Correction		Yes			
Certification		CE / EMC / LVD / FCC / ETL			
Available options		90° angles - High Brightness (P2.6)			
Compatibility		All cabinet sizes are compatible with one another / A cabinet can be installed vertically or horizontally			

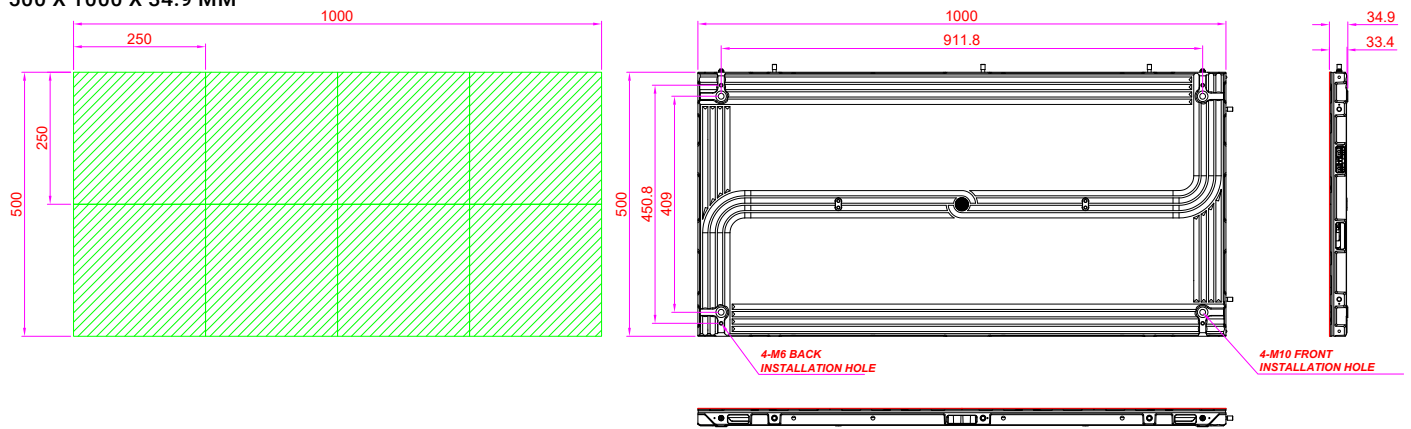


Information and design in this leaflet are subject to Artixium France SAS copyright. No material from this leaflet can be used in any context without ARTIXIUM approval. Designs and specifications are subject to change without notice. All images of ARTIXIUM products components and accessories used here are also subject to change without notice. All information presented herein is based on the latest information at the time of publishing. Actual results of performance and other specifications may differ or vary with production models and may depend on selected options and model ranks.

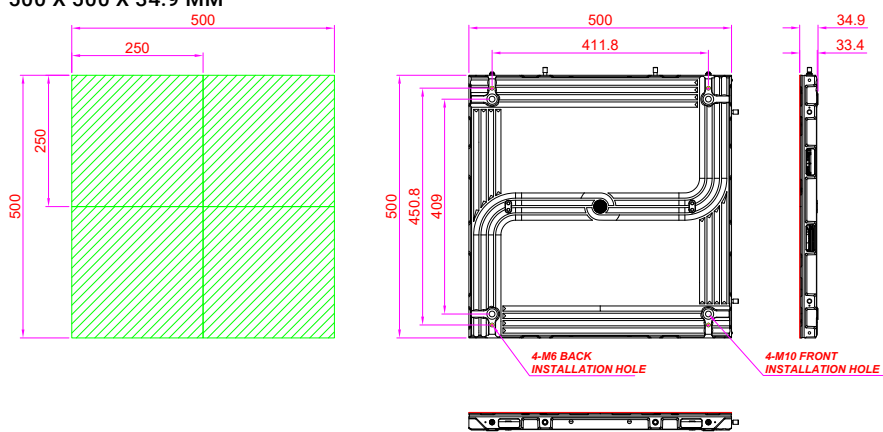


TECHNICAL DRAWINGS

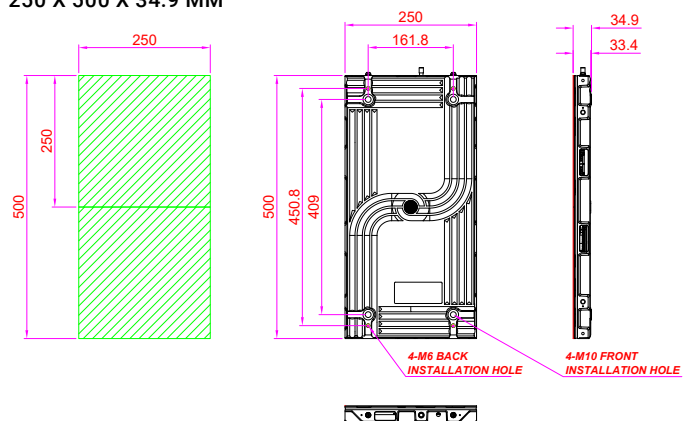
500 X 1000 X 34.9 MM



500 X 500 X 34.9 MM



250 X 500 X 34.9 MM





CONTACT

The Artixium regional branches are the key for the growth and development of our global network all over the world. Artixium's team is a spectrum of different nationalities and cultures, reflecting their global presence and mindset, mak-

ing their communication smooth and hassle-free with clients from all around the world. Customer care, Innovation and flexibility has always been our values and we intend to keep this reputation for many years to come.

ARTIXIUM FRANCHISES

"From your project's conception to its completion."



112 Avenue Franklin Roosevelt
69120 Vaulx-en-Velin
France



Artixium Operational Center
518000 Shenzhen
China




Weissensteinstrasse 90b,
46149 Oberhausen
Germany




Merkez Mah. Baglar Cad. A
Blok Apt. No: 14D/13 Kagithane, Istanbul
Turkey




 www.artixium.com

 0 428 001 801

 [linkedin.com/company/artixium](https://www.linkedin.com/company/artixium)

 twitter.com/artixium

 contact@artixium.com

 [youtube.com/@artixium](https://www.youtube.com/@artixium)

 [facebook.com/artixium](https://www.facebook.com/artixium)

 [instagram.com/artixium](https://www.instagram.com/artixium)



Since its creation in 2012 by two european entrepreneurs, Artixium has been evolving and always looking for innovative ways to contribute to the digital transition of our world. It only took a few years for Artixium to become a key player in the LED display industry.

www.artixium.com